

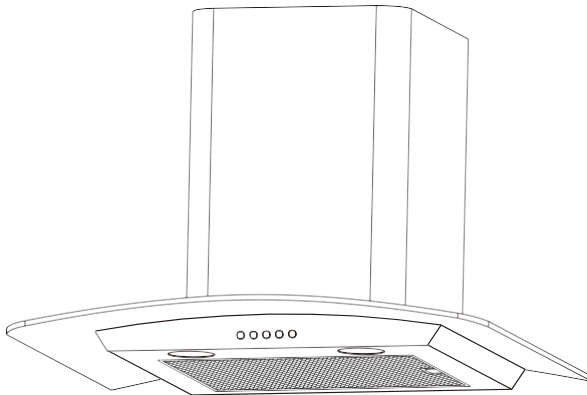


Since 1958

600mm / 900mm

**Chimney
Cooker Hood
Instruction Manual**

U600SCG /
U900SCG



Introduction

Dear Customer

Thank you for choosing this quality, Univa Chimney Cooker Hood.

This User Manual contains important safety information and instructions on the operation and maintenance of your appliance.

Please take the time to read this User Manual before using your appliance and keep this book for future reference.

ALL SPECIFICATIONS ARE SUBJECT TO CHANGE WITHOUT PRIOR NOTICE

IMPORTANT!

Keep this Instruction Manual safe for future reference

CONTENTS

➤ SAFETY WARNINGS.....	3
➤ INSTALLATION.....	5
➤ OPERATION.....	9
➤ CLEANING & MAINTENANCE.....	10
➤ TROUBLE SHOOTING.....	12
➤ WARRANTY.....	13

Electrical Information

Mains electrical voltage: 220-240V~50HZ

Total rated power consumption:

122W

SAFETY AND WARNINGS

To reduce the risk of fire, electric shock or injury when using your appliance, follow basic precautions, including the following:

1. Intended for indoor and domestic use only!
2. Adequate ventilation of the room is required when the cooker hood is used at the same time as appliances burning gas or other fuels.
3. **WARNING!** Refer to the instruction sheet for operating the appliance when air is discharged from the room
4. Regulations regarding the discharge of air must be adhered to.
5. Do not check the status of the filters while the cooker hood is in operation.
6. To avoid injury, do not touch the light bulb within half an hour after use.
7. Do not flambe under the cooker hood.
8. Avoid opening the gasometer when there is no pan on the stove as this will damage the filters and is also a fire hazard.
9. Hot oil is a fire hazard! Constant supervision is required when frying food.
10. Disconnect the electrical plug prior to cleaning, maintenance, or repairs.
11. The cooker hood must be installed above a hob with no more than four plates or burners
12. When the range hood and other appliances supplied by energy, other than electricity, are in operation simultaneously, the negative pressure in the room must not exceed 4 Pa (4×10^{-5} bar)

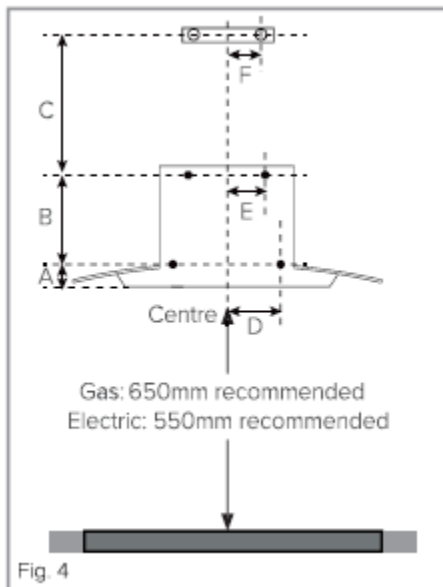
13. This appliance can be operated by anyone older than 8 years of age, except persons with reduced physical, mental capabilities, or lack of experience and knowledge who may operate this appliance under supervision and/or have been given instructions concerning the safe operation of this appliance and the potential hazards that may arise from improper use.
Children must not play with the appliance. Cleaning and user maintenance must not be carried out by children unless they are older than 8 years of age and under adult supervision. Children younger than 8 years of age must be kept away unless continuously supervised.
14. **WARNING:** The appliance must be switched off before replacing the lamp to avoid the possibility of electric shock.
15. **WARNING:** Do not allow anyone other than qualified service personnel to carry out maintenance or repairs as this will void the warranty.
16. **WARNING:** Fire Risk if cleaning instructions are not followed as stipulated in the manual.
17. **WARNING:** To avoid the risk of electrical hazards, install the screws or fixing device as per the instructions set out in this manual.
18. To avoid damaging the connecting wires, only use the screws supplied with the unit and the pre-drilled holes to install.
19. The installation height of the hood must NOT be less than 65cm.
20. **WARNING:** Fire Hazard! Clean the filter screen regularly
21. Damaged supply cords must be replaced by the manufacturer, approved service agents or a qualified electrician.

INSTALLATION

Mounting your extractor

When the extractor is installed above a hob, the minimum distance between the hob and the extractor must exceed 550mm.

Note: The height should be measured from the top of the burners.



The width of any hob must not be greater than the width of the extractor installed above it.

A	53mm
B	155mm
C	Height dependent
D	105mm
E	105mm
F	73mm

Ducting and ventilation

For best performance and lowest noise output we recommend the use of 150mm ducting. 125mm ducting may be used but this will reduce performance and increase the noise of the extractor.

Wherever possible, use the rigid circular pipe which has a smooth interior rather than the expanding concertina style ducting.

The lengths of ducting without affecting performance are as follow:

- 4 metres with 1 x 90° bend
- 3 metres with 2 x 90° bends
- 2 metres with 3 x 90° bends

Installation

The metal casing of this appliance has been coated with a preservative to protect it during transport and storage. This should be removed during installation by using a non-abrasive stainless-steel cleaner. Always follow the instructions given with the cleaner being used. RISK! Ensure the appliance is not connected to power supply during this cleaning process.

When correctly installed, your product meets all safety requirements laid down for this type of product. However, special care should be taken around the rear of the appliance as these areas are not designed nor intended to be touched and may contain sharp or rough edges that could cause injury. Always wear adequate Personal Protective Equipment (PPE).

Note:

- Two people are required to install the chimney hood
- The fixings supplied are suitable for most installations. It is the responsibility of the installer to ensure that the fixings are suitable for the ceiling type in the property
- Cover any hob or surface below the area in which the extractor is to be installed, to avoid any damage to it

Tools required

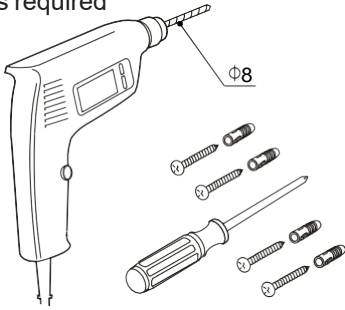


Fig. 5

Mark out wall as required, see Fig 4.

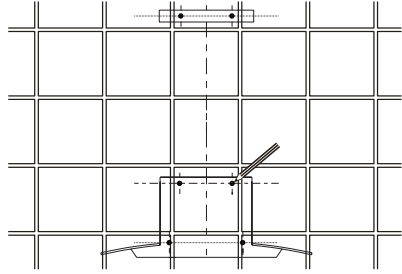


Fig. 6

Drill holes

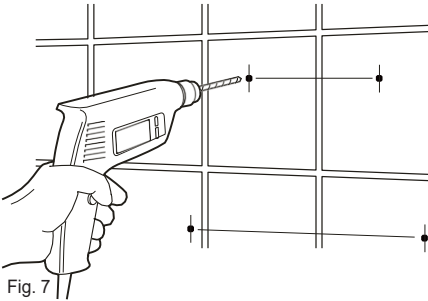


Fig. 7

Fit wall fixings and top screws - Ensure that any fixings you use are appropriate for the wall type.

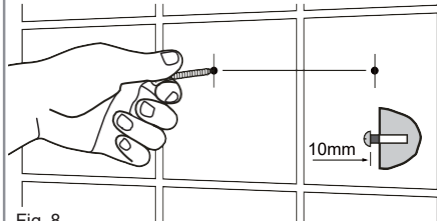


Fig. 8

Secure hood (tighten all screws)

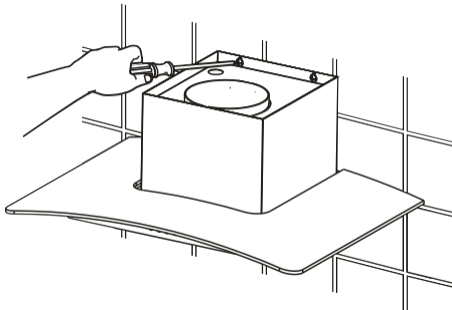


Fig. 9

IMPORTANT!

Only use the screws provided with the extractor to mount the ducting adaptor. The use of longer screws may cause damage to the internal wiring which will not be covered by the warranty.

Note: If using the supplied ducting adaptor to reduce the diameter from 150mm to 125mm, secure this in before continuing to Fig. 11

Mount chimney brackets.

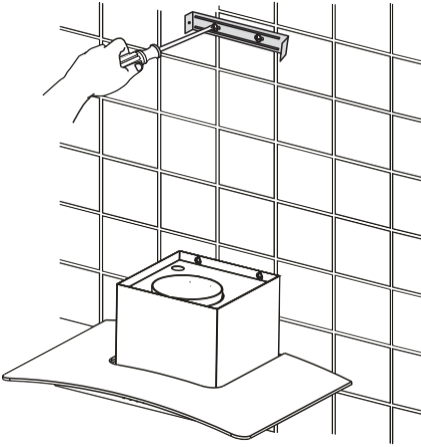


Fig. 10

Fix ducting (seal joint)

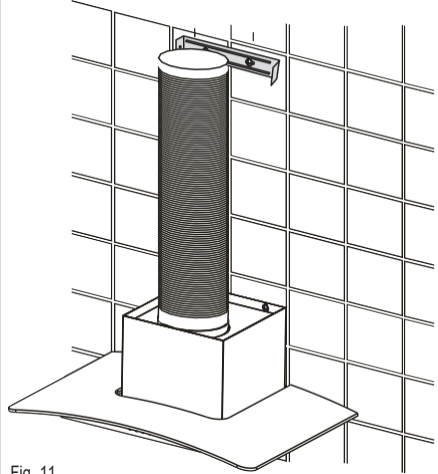


Fig. 11

Mount the chimney.

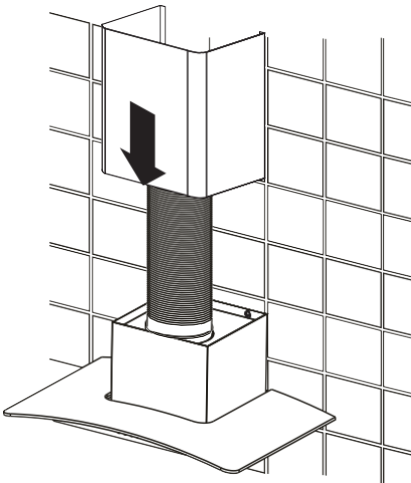


Fig. 12

Adjust and secure the chimney.

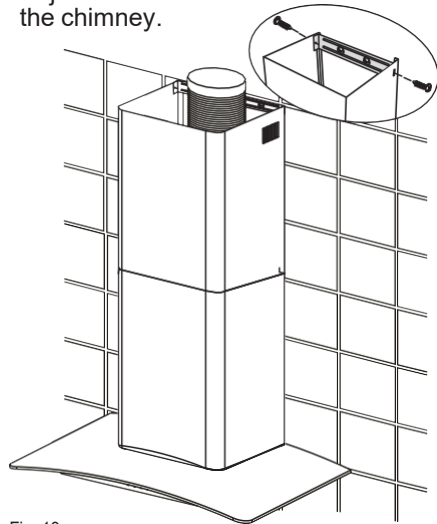


Fig. 13

OPERATION

For best performance, switch on the extractor 15 minutes before starting to cook and leave it to run for approximately 15 minutes after the end of cooking.

Control Panel

A – Power off Button

B - Speed level buttons

C - Light button

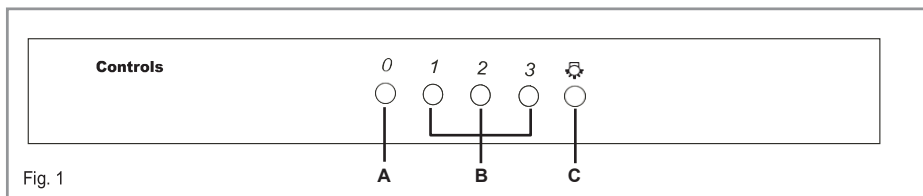


Fig. 1

To switch the extractor light On or Off

- Press button "C"

To switch on the extractor or to change the speed at any time when the extractor is running

- Press the relevant "B" button for the first, second or third speed level as required.

To switch the extractor off

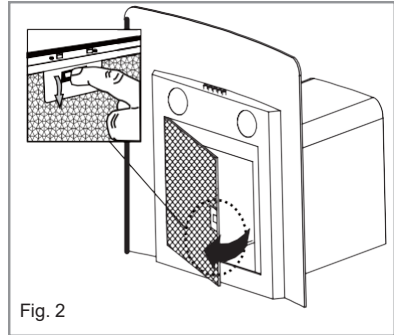
- Press the "A" button.

CLEANING AND MAINTENANCE

IMPORTANT: Do not perform maintenance or cleaning of the extractor without first switching off the electricity supply.

Cleaning

Only use a non-abrasive cleaner. Any abrasive cleaner will scratch the surface and could erase the control panel markings.



Clean the extractor effectively by using a diluted solution of water and mild detergent and drying to a shine with a clean macrofibre cloth.

Cleaning the grease filter

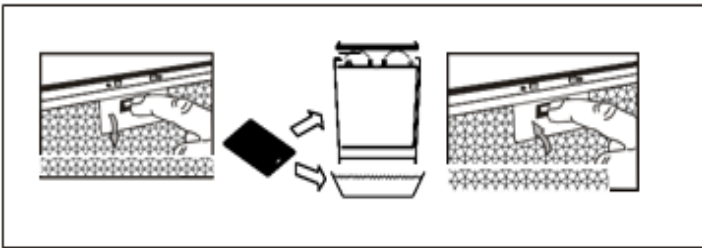
The grease filter should be kept clean to minimize the risk of fire.

At least once a month remove and clean the grease filter with hot soapy water. The grease filter can also be washed in a dishwasher, ensuring it is placed in an upright position to prevent damage from other items in the dishwasher.

To remove the grease filter, push in the button on the handle and then pull outwards on the filter as shown in Fig. 2. When it has been released at the front, pull the filter out completely.

After rinsing and drying, reassemble the grease filter to the hood by reversing the removal process.

Fig.4



Cleaning Tip:

- Remove the metallic filter from the cooker hood.
- Wash in a solution of water and neutral liquid detergent, leaving to soak
- Rinse thoroughly with warm water and leave to dry
- The metallic filter may also be washed in the dishwasher.

The metallic filter may discolor after several washes. This is not cause for customer complaint nor replacement of metallic filter.

Important:

Cleaning the grease filter in the dishwasher may lead to discolouration. This is normal and does not constitute a fault with the appliance

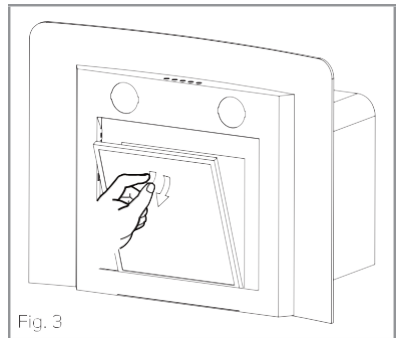
Changing the charcoal filter (re-circulating only)

To ensure the best performance of the extractor, it is recommended to replace the charcoal filter every four to six months, depending on the use.

To attach a new charcoal filter, first remove the grease filter as described in Fig.4

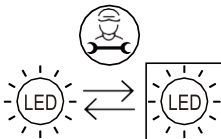
To attach the charcoal filter

Offer up the charcoal filter as shown in Fig.3 so that the magnetic pins are facing upwards one to the rear and one to either side. The filter will be held in place by magnetic force. Finally replace the grease filters.



LED lighting

In case of malfunction of the illumination system contact an approved service agent or qualified electrician.



Troubleshooting

Please note:

The extractor is equipped with a motor protection device that will switch off the motor to prevent damage from overheating. This may happen during cooking when most, or all of the zones/burners are being used simultaneously, or if the extractor is installed incorrectly, lower than the recommended height.

This is normal, and the extractor will work again once the motor has cooled sufficiently.

If your extractor is not working:

1. Check that the mains supply has not been switched off.
2. Check that the fuse in the spur has not blown.

DISPOSAL



This product must not be disposed with other household waste. To prevent possible harm to the environment or human health from uncontrolled waste disposal, recycle it responsibly to promote the sustainable reuse material resources.



UNIVA WARRANTY

This guarantee is issued by Univa in respect of all products manufactured and sold by Univa. The liability to Univa is limited to the following conditions:

1. This guarantee operates in favour of the original purchaser of new appliances only and cannot be ceded, assigned or transferred. Univa shall have no liability in respect of second hand goods or to second or subsequent purchasers of any appliances.
2. This guarantee shall operate for a period of **Two Years** from the date of original purchase of the appliance which date shall be proved to the reasonable satisfaction of a Univa authorized service Agent or consultant.
3. The liability of Univa shall be limited to the repair or replacement by a Univa authorized service dealer in its sole discretion of the defective parts of the appliance at its sole cost. Univa shall not be liable for any loss or damage suffered by the customer or any other party or caused to the appliance arising from negligent use.
4. Should the defective appliance be situated further than 50 km from the nearest Univa service centre or authorized service agent, Univa shall be entitled to charge its customer a travelling rate for such distance in excess of 50 km.
5. The liability of Univa shall be limited in respect of defective parts or material or in respect of defective workmanship only. Univa authorized service agent shall have no liability if, in its opinion, the defect or fault was caused through faulty installation, accidental damage, incorrect usage, misuse or abuse, failure to follow the operating instructions, fire, flood, civil disturbances or any Act of God. The company shall not be responsible for damages caused by insect and/or animal infestation. Univa shall not be obliged to replace filters, light bulbs, fuses, vitreous enamelware, and any other items which Univa, in its sole discretion, determines that the life of such item depends on the amount of use and care taken in respect of such item.
6. The guarantee shall become void and cease to operate if the appliance is dismantled by or any repairs to the appliance are affected by any persons not duly authorized by Univa, or if any non-genuine Univa parts are used in the appliance, or if the serial number of the appliance is removed.
7. The product has been designed and manufactured for normal domestic use and the warranty will accordingly become void and cease to operate if the product is not used for domestic purposes.
8. If the customer is unable to prove the date of purchase of the appliance to the reasonable satisfaction of the representative of a Univa authorized service agent or if no fault or defects are found in the appliance, a Univa authorized service agent shall be entitled to charge for the work done and travelling expenses incurred.

Details of Head Office

- **Howick Mews, Waterfall Park, Bekker Road, Vorna Valley, Midrand, Gauteng, South Africa**
- **P.O. Box 1482, Halfway House, Gauteng, 1685**
- **Sales and Marketing Tel: +27 11 315 0015**
Email: sales@univa.co.za
- **Service and Spares: Tel: +27 11 315 0015**
Email: support@univa.co.za



www.univa.co.za